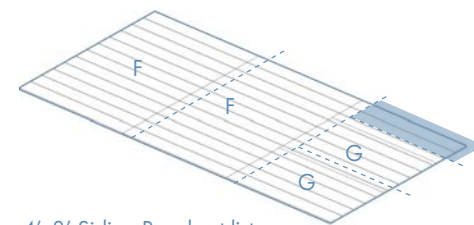
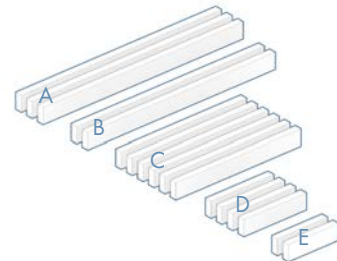


B.O.M - all sourced from LOWES: TOTAL COST: ~\$199.04

41.5 linear feet of 2x4 @ \$37

4' x 8' Siding Panel @ \$21.97



2x4 cut list:
 A - 3qty @ 48" x 2" x 4"
 B - 2qty @ 45" x 2" x 4"
 C - 8qty @ 30" x 2" x 4"
 D - 4qty @ 15" x 2" x 4"
 E - 2qty @ 12" x 2" x 4"

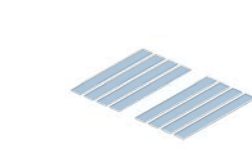
Floor Flange x 8 @ \$43.04

D-Ring 12 pack @ \$17.59

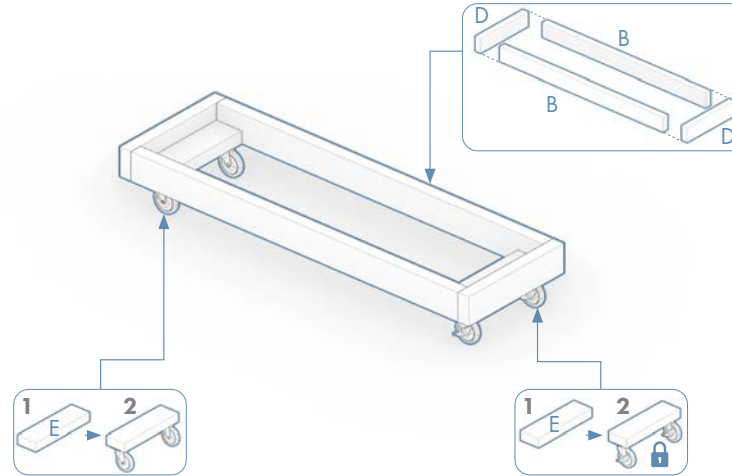
2 Planters @ \$29.96

3" Casters x 4 @ \$33.12

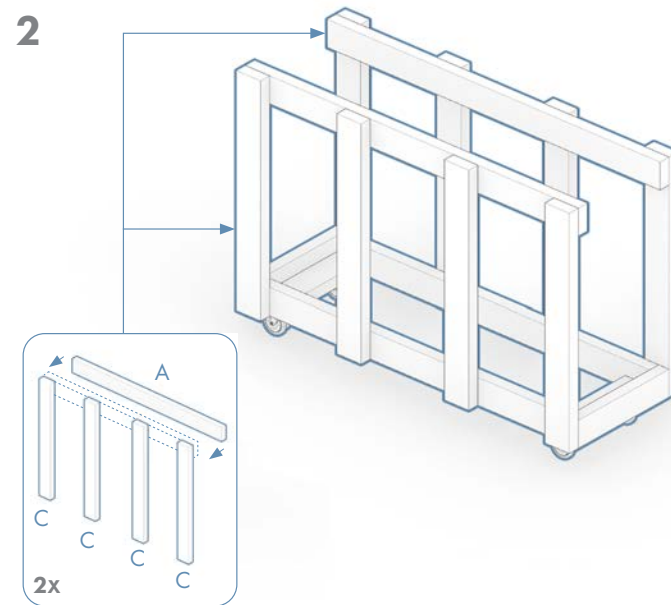
18" Reflective strips @ \$16.36



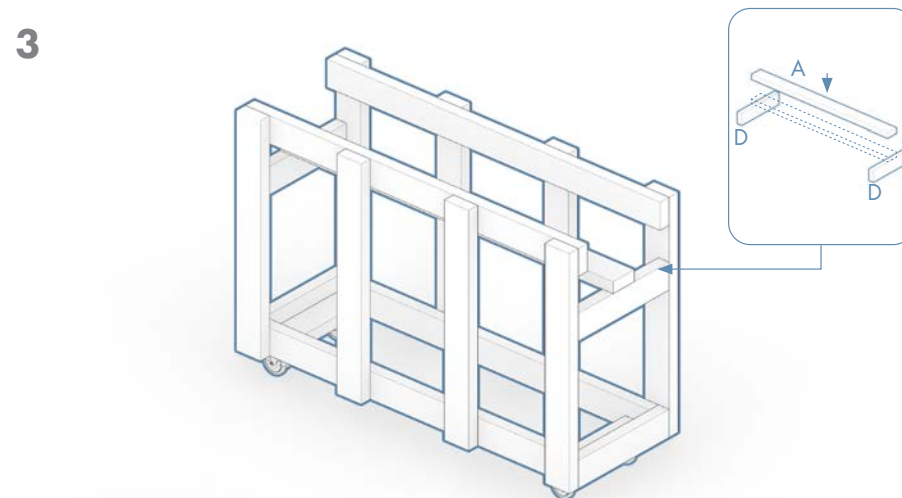
1



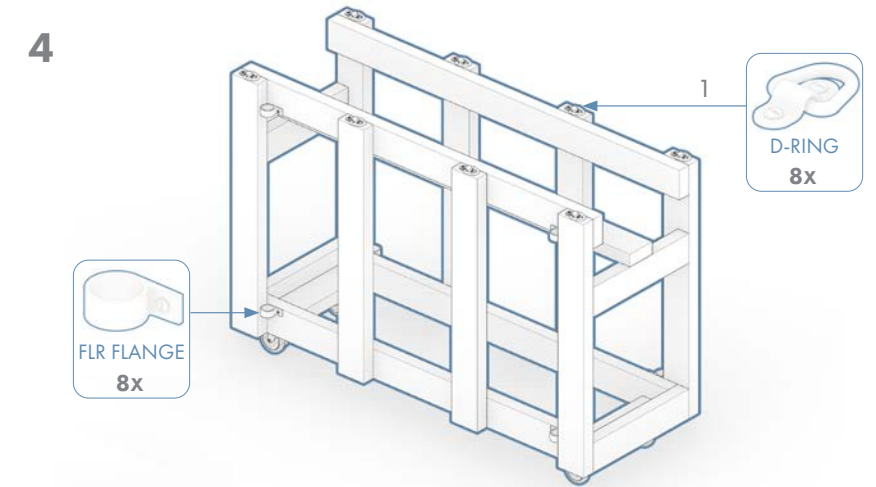
2



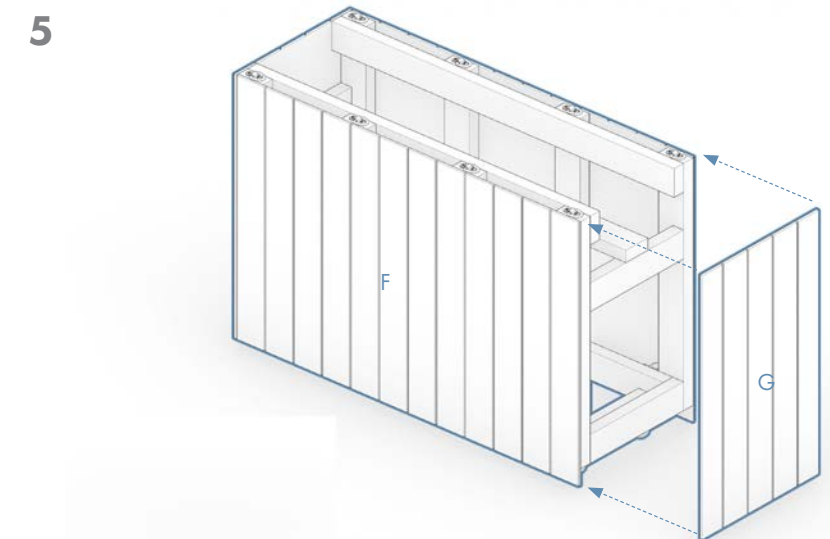
3



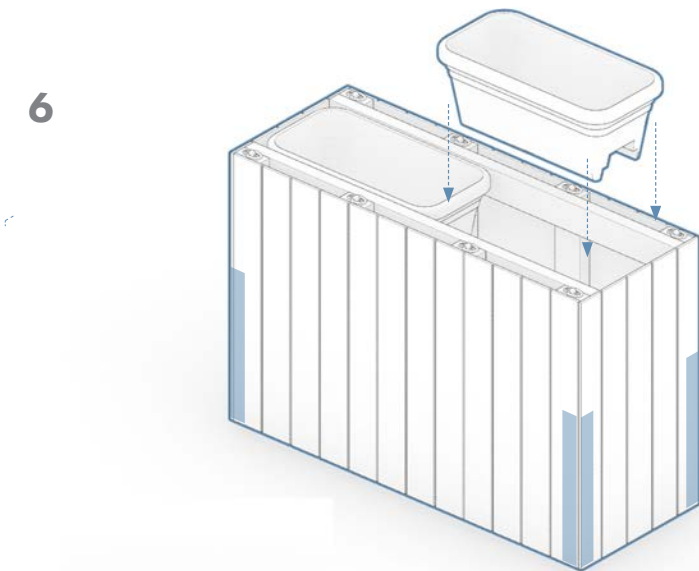
4

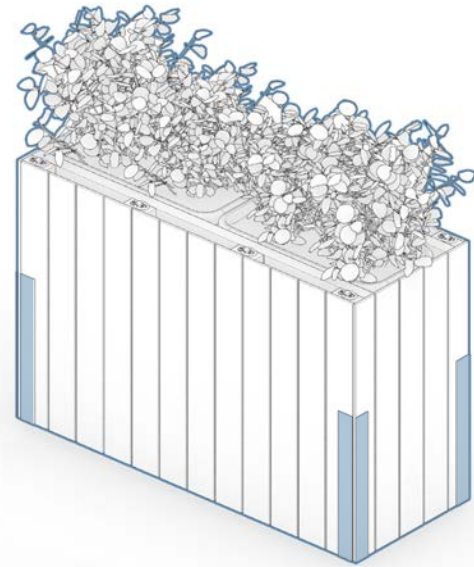


5

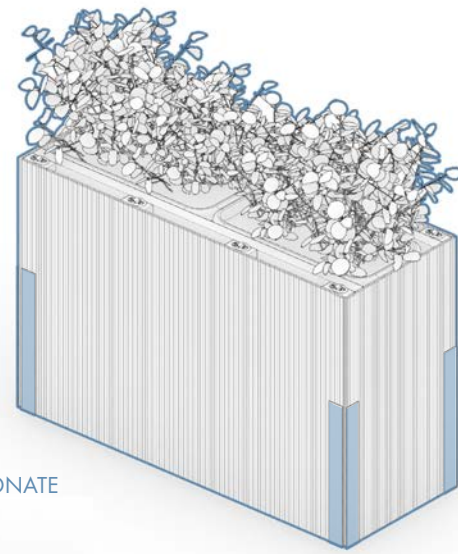


6

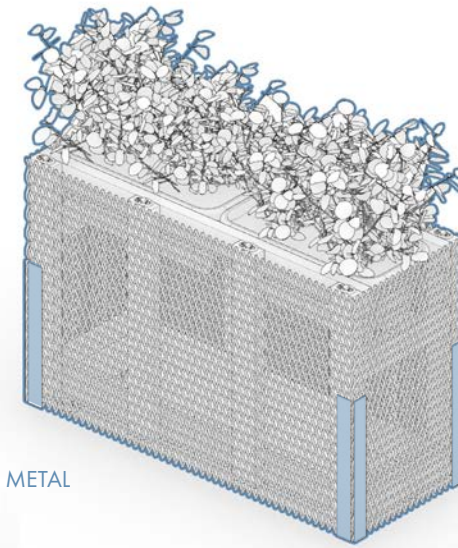




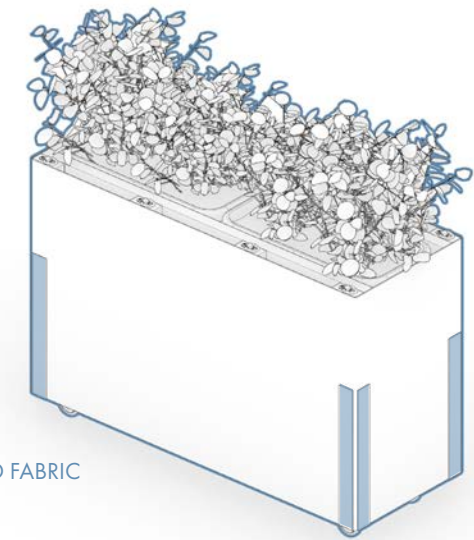
SIDING



POLYCARBONATE

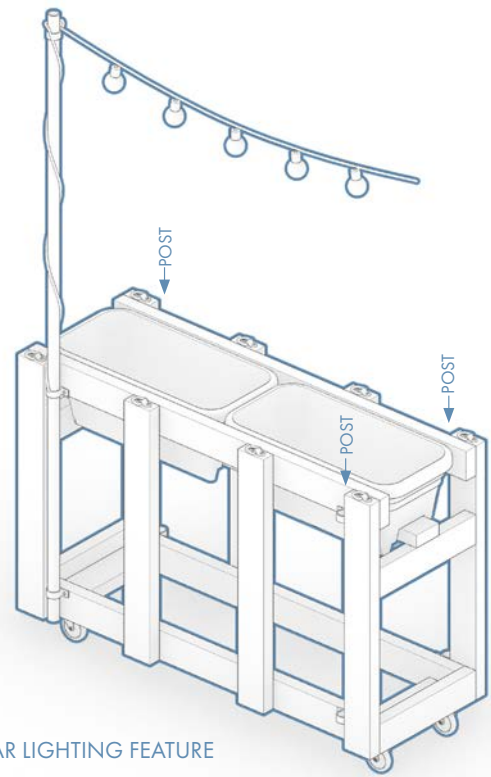


EXTRUDED METAL

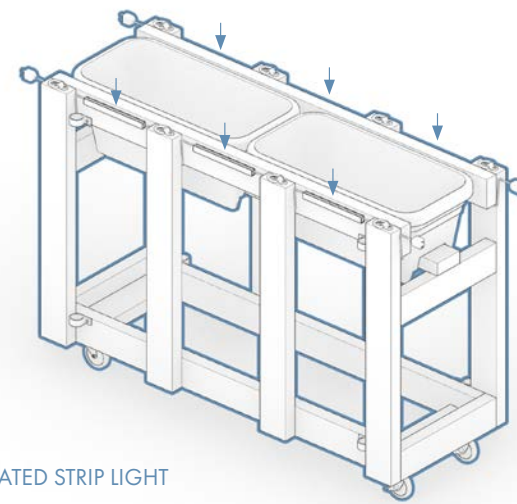


WRAPPED FABRIC

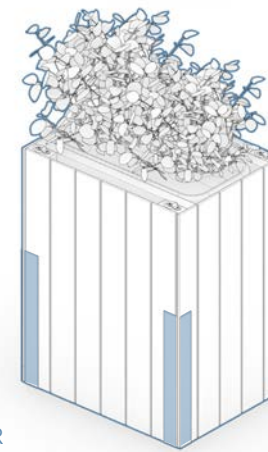
CLADDING ALTERNATIVES



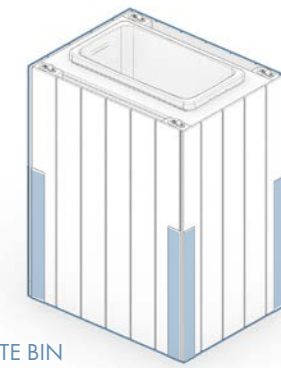
MODULAR LIGHTING FEATURE



INTEGRATED STRIP LIGHT



SINGLE PLANTER



INTEGRATED WASTE BIN

1

